

CCTV Camera

EN-VI30K-65H

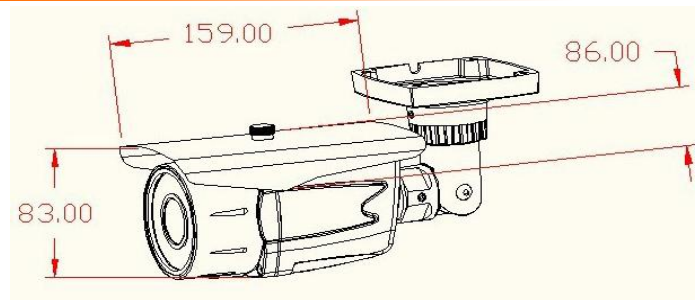


Features

- ◆ Weatherproof IR Camera
- ◆ 600TVL(Sharp 2365+Sharp 36B15)
- ◆ 42 pcs ϕ 5mm IR-LED, IR Range 35M
- ◆ 3-Axis Bracket, Easy For Installation
- ◆ Built-in 4--9mm Manual Zoom Lens



Size Chart



Specifications

Model Name	EN-VI30K-65H
Image Device	1/3 CCD Sensor
Resolution	600 TVL
Picture Elements	PAL:752(H) \times 582(V); NTSC:768(H) \times 494(V)
Min. Illumination	0.2 Lux /F2.0
TV System	PAL/NTSC
Lens Furnished	4--9 mm Manual Zoom Lens (Optional 2.8--12mm Manual Zoom Lens)
Infrared Luminary	42 pieces ϕ 5 mm IR-LED
Illuminate Distance	35 M
Wavelength	850 nm
Waterproofing Criterion	IP 66
S/N Ratio	More than 48dB
Electronic Shutter	NTSC:1/60~1/100,000, PAL:1/50~1/110,000
Gamma	0.45
White Balance	Auto
Gain Control	Auto
Sync. System	Internal
Video Output	1 Vp-p / 75 Ohms
Power Supply	DC12V \pm 10%
Operation Temperature	-10 ~ +50 RH95% Max
Dimension	Body : ϕ 83x159mm With Bracket: 230(L)x86(W)x83(H)
Weight	1400g

Design and specifications are subject to change without notice.